

CUTTING REQUIREMENTS

NOTES

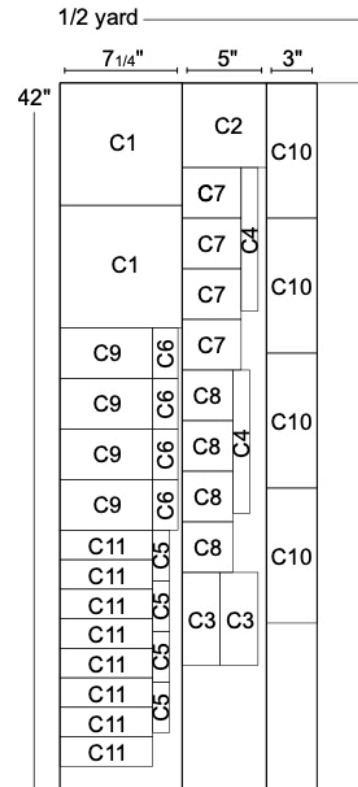
- WOF = Width of fabric (assumed be 42")
- FQ = Fat Quarter (18" x 22")
- FE = Fat Eight (9" x 22")
- Rect = Rectangle
- RST = Right Sides Together
- HST = Half Square Triangle
- Iron all fabrics before cutting.
- Seam allowances included = 1/4 inch = 1/4"

Please **label your pieces (A1, A2, ...)** as you cut them.

Assembly instructions refer to labels rather than dimensions.

| | |
|----------|--|
| Fabric A | <p>1 - 7 1/4" x WOF strip, subcut into</p> <p>1 - 7 1/4" square A1</p> <p>1 - 2" x 8 1/2" rect A2</p> <p>1 - 1 1/4" x 5 1/2" rect A3</p> |
| Fabric B | <p>1 - 7 1/4" x WOF strip, subcut into</p> <p>1 - 7 1/4" square B1</p> <p>1 - 5" square B2</p> <p>1 - 1 1/4" x 5 1/2" rect B3</p> <p>8 - 2 1/4" square B4</p> |
| Fabric C | <p>1 - 7 1/4" x WOF strip, subcut into</p> <p>2 - 7 1/4" squares C1</p> <p>4 - 3" x 5 1/2" rect C9</p> <p>4 - 1 1/2" x 3" rect C6</p> <p>8 - 1 3/4" x 5 1/2" rect C11</p> <p>4 - 1" x 3" rect C5</p> <p>1 - 5" x WOF strip, subcut into</p> <p>1 - 5" square C2</p> <p>4 - 3" x 3 1/2" rect C7</p> <p>2 - 1" x 8 1/2" rect C4</p> <p>4 - 3" squares C8</p> <p>2 - 2 1/4" x 5 1/2" rect C3</p> <p>1 - 3" x WOF strip, subcut into</p> <p>4 - 3" x 8" rect C10</p> |

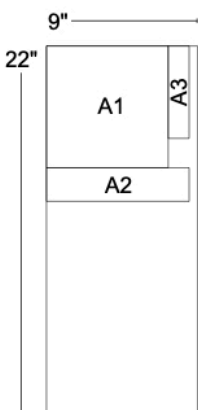
See cutting chart *



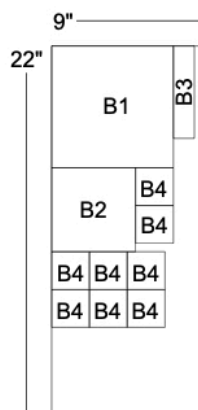
* Fabric C cutting chart

FAT QUARTER / FAT EIGHT CUTTING CHARTS

Fabric A



Fabric B



Fabric C

